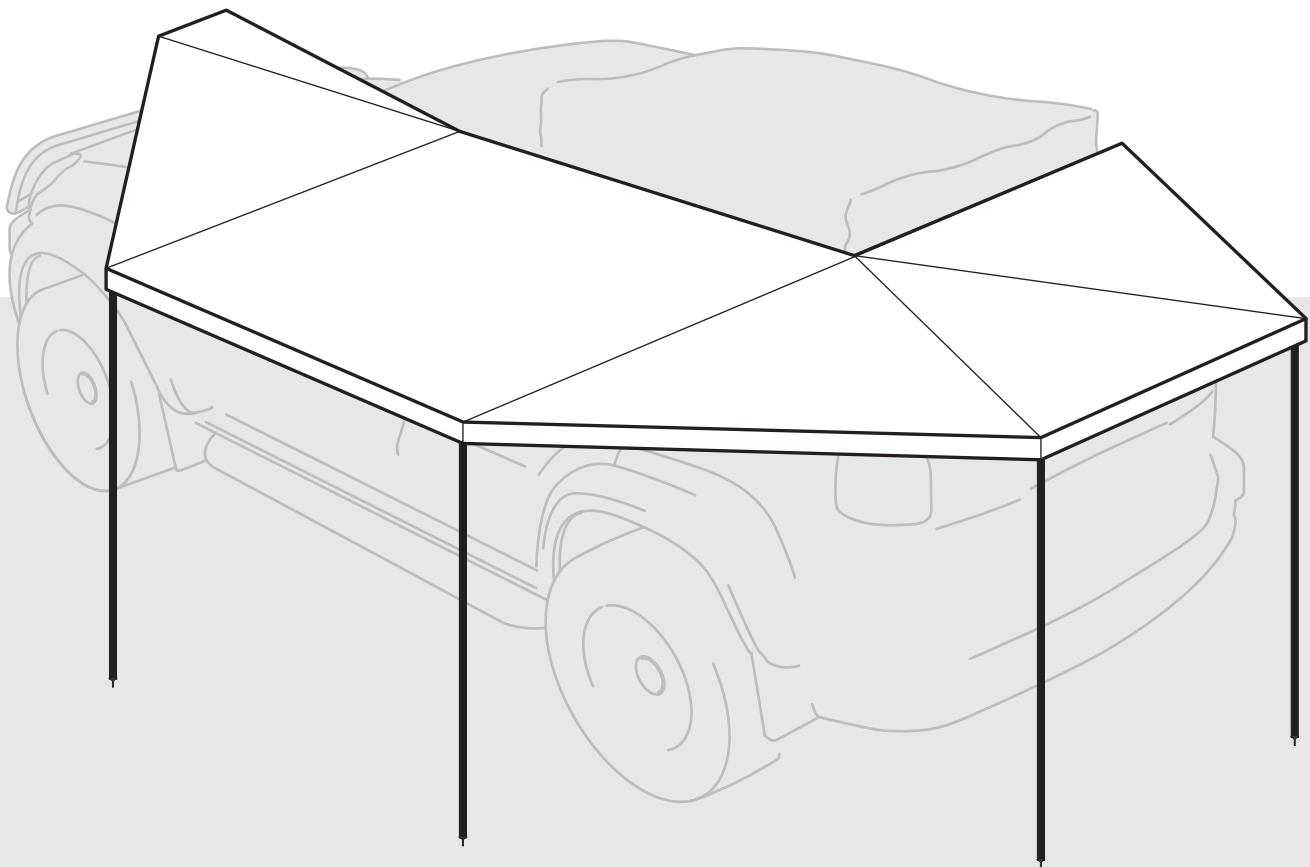




450° AWNING

SET-UP & CARE INSTRUCTIONS



**CAREFULLY READ INSTRUCTIONS PRIOR
TO FIRST USE OF THE 270° AWNING**
IF YOU REQUIRE ADDITIONAL ASSISTANCE,
CONTACT YOUR RETAILER

450° AWNING

SET-UP & CARE INSTRUCTIONS

GET TO KNOW YOUR AWNING

We recommend you check all parts are included prior to first use.

270° CONTENTS

1 270° Awning

3 Mounting brackets

6 'U' Bolts with nuts and washers

6 25mm M8 mounting bolts and nuts

6 Twist-lock leg poles
(3 in a canvas bag)

2 Tension straps

13 Pegs

13 Guy ropes

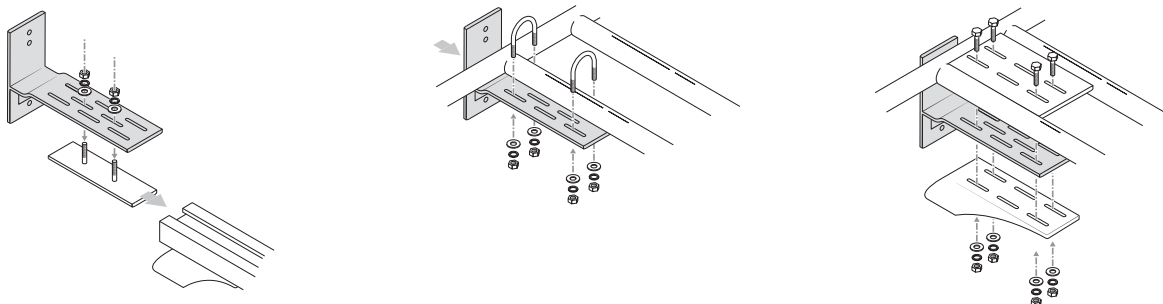
ATTACHING BRACKET TO ROOF-RACK

1

Awning brackets have been designed to fit most common roof rack configurations. However, with the ever increasing number of roof rack designs available it is difficult to supply a mounting bracket to accommodate all. Below are examples of how to mount the Awning brackets to Flat style and Basket style roof racks. The bracket can also be mounted on roof

bars, however, additional specific attachments may need to be sourced from your roof rack supplier.

If in doubt, visit your roof rack specialist for specific roof rack mounting options and advice on load capacities.



ATTACH AWNING TO BRACKET

Recommend using an experienced after-market 4x4 Accessories fitter to mount the Awning to your vehicle. Fasteners and fixing connections should be checked regularly on both the awning and roof rack to ensure the awning is always mounted securely to your vehicle roof rack.

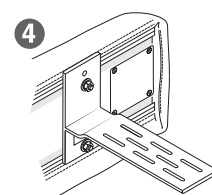
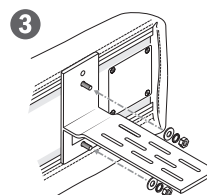
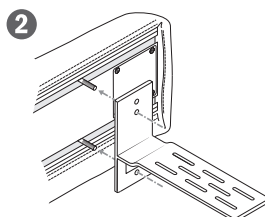
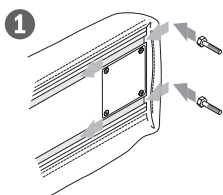


Ensure the unsupported ends of the awning do not exceed 500mm.

Takes no responsibility for the fitment of the Awning to any vehicle or roof rack.

2

Insert supplied 25mm M8 bolts into grooves in aluminium backing plate.



PROLONGED TRAVELING ON UNEVEN ROUGH OR CORRUGATED TERRAIN WILL REQUIRE MORE FREQUENT INSPECTIONS.

450° AWNING

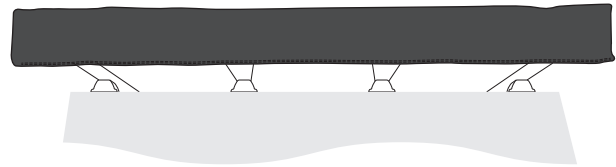
SET-UP & CARE INSTRUCTIONS

SET-UP

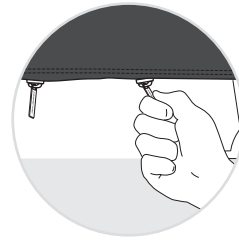
3

REMOVE COVER

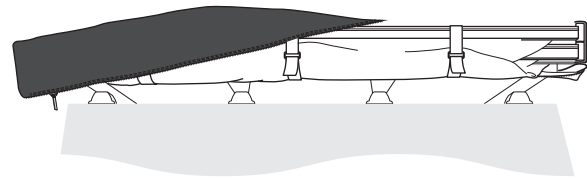
Unzip cover and fold it over the awning body.



1



2

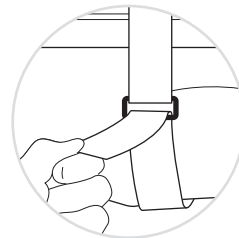


4

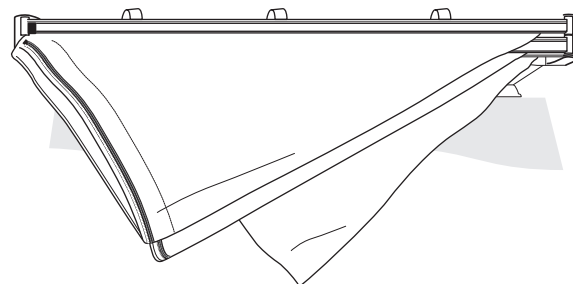
RELEASE AWNING

Release the three Velcro straps and allow canvas to drape.

1



2



450° AWNING

SET-UP & CARE INSTRUCTIONS

SET-UP

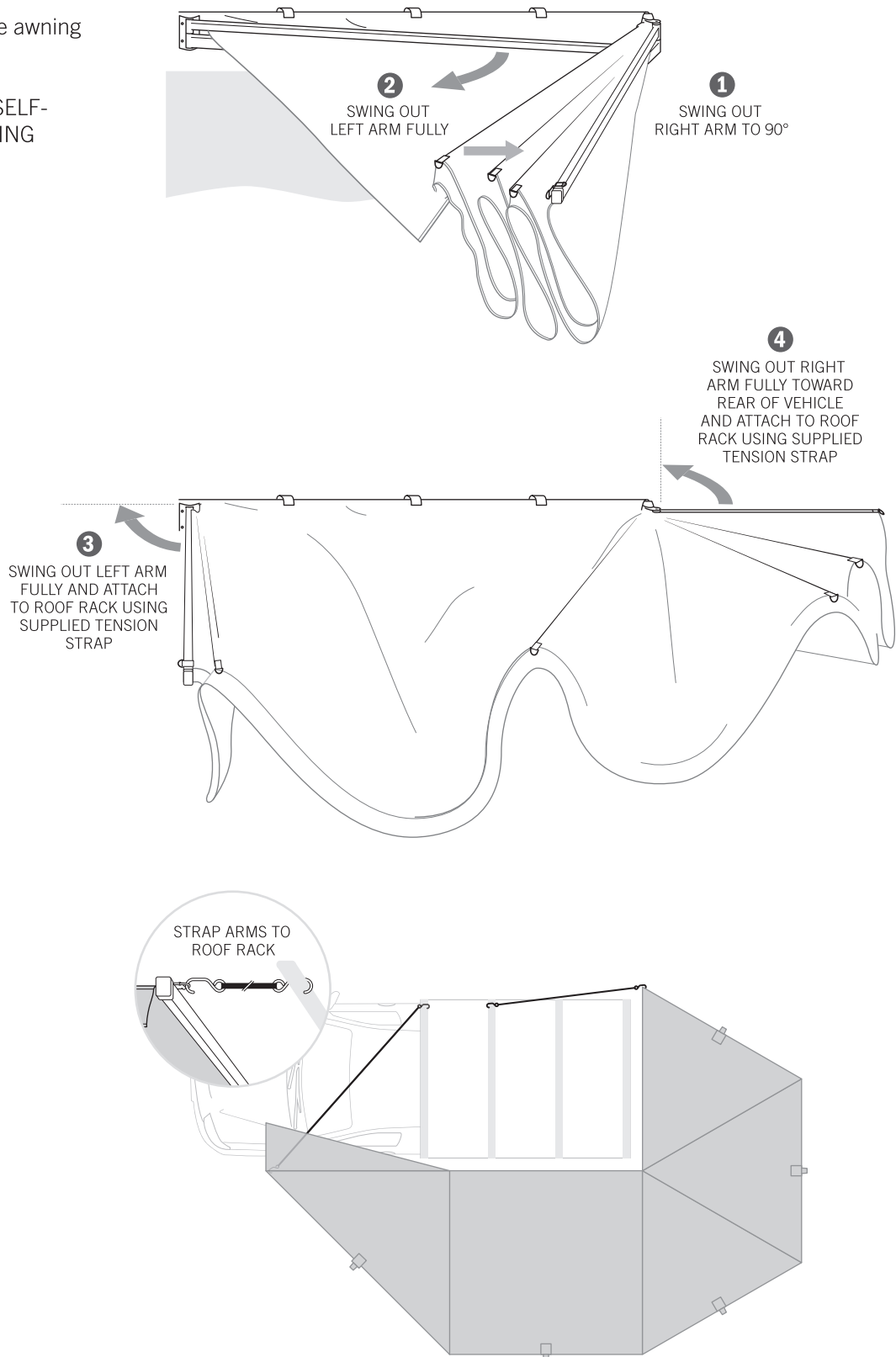
5

OPENING

To begin setting up the awning follow steps 1 to 4

TIP

AWNING WILL SELF-SUPPORT DURING SET UP ONLY



450° AWNING

SET-UP & CARE INSTRUCTIONS

SET-UP

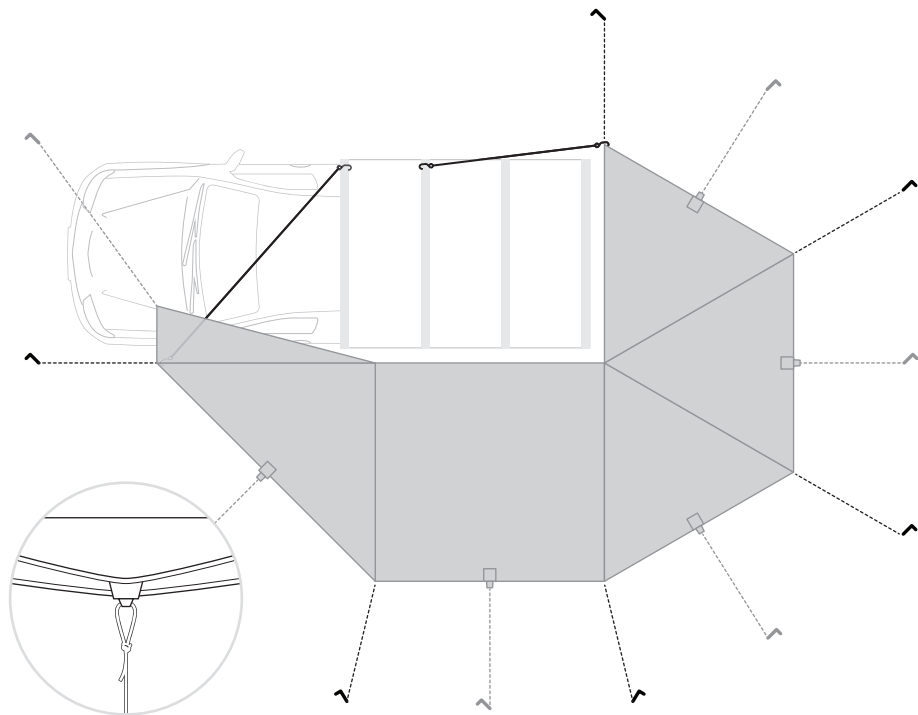
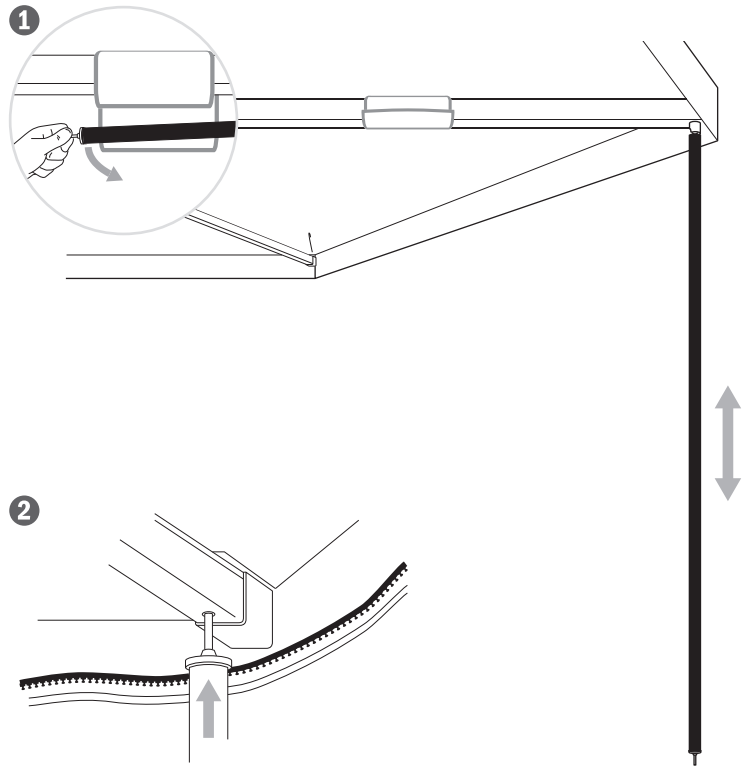
6

POLE SET-UP

- Undo the Velcro straps securing each support leg. Leg will pivot down to a vertical position. Adjust to desired height by unlocking and locking the internal twist locking mechanism.
- Attach 3 x additional support poles to 3 x remaining rafters by inserting spigot into holes at end of rafter.
- Secure the end of each rafter by anchoring and tensioning guy ropes.

! ENSURE ALL GUY ROPES ARE SECURED.

! IF ATTACHING OPTIONAL WALLS, EACH RAFTER MUST BE SUPPORTED BY A LEG POLE.



TIP IN CASE OF RAIN, LOWER THE SUPPORT LEGS TO ALLOW DOWNWARD SLOPE AND GUY OFF BETWEEN RAFTERS TO FORM VALLEYS FOR WATER RUN-OFF.

450° AWNING

SET-UP & CARE INSTRUCTIONS

PACK-DOWN

7

PACK-DOWN

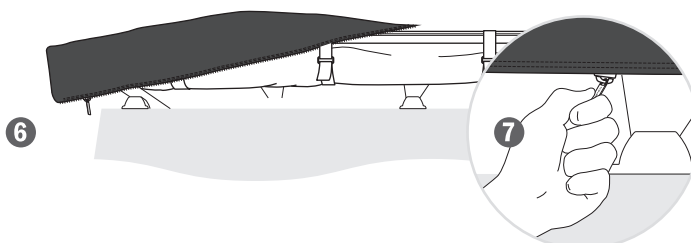
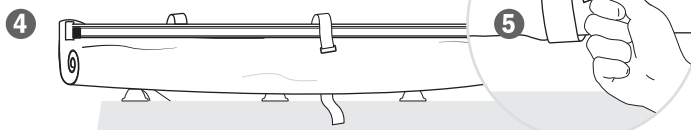
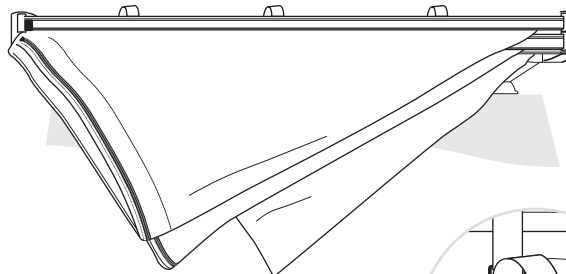
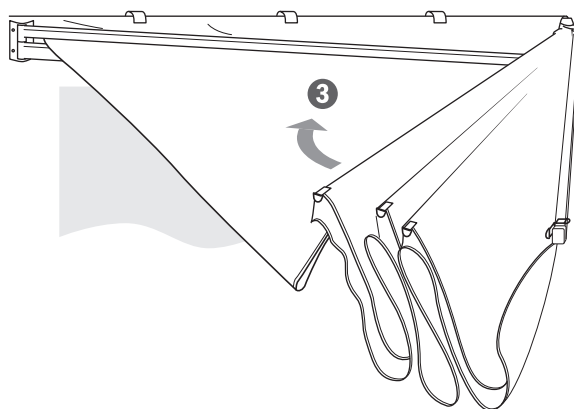
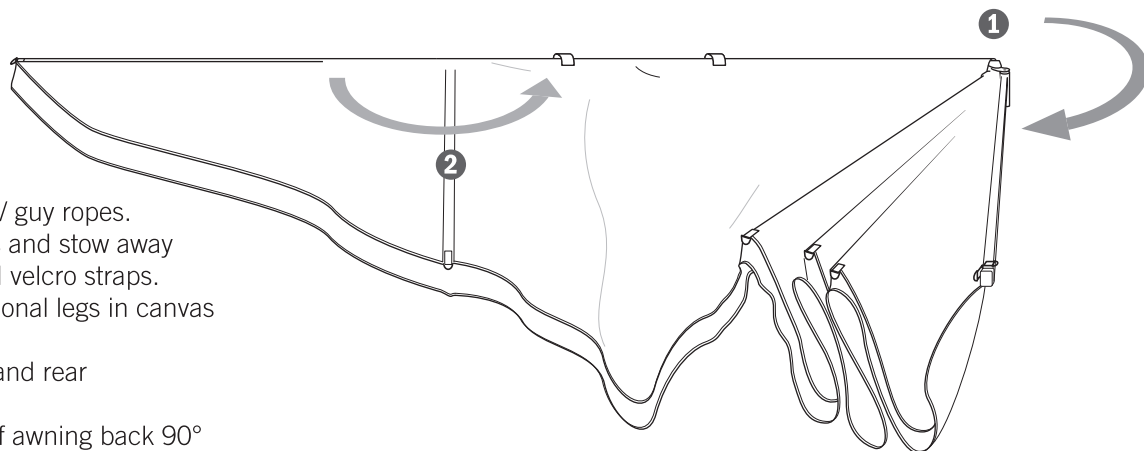
- Undo all pegs / guy ropes.
- Fold away legs and stow away using attached velcro straps.
- Stow 3 x additional legs in canvas carry bag.
- Release front and rear tension straps.
- Fold the RHS of awning back 90° from the awning body ensuring the top rafters sit directly on top of the bottom rafters.
- Fold the LHS of awning back 90° from the awning body ensuring the top rafters sit directly on top of the bottom rafters.
- At this point fold the LHS of the awning toward the awning body followed by the RHS. Canvas should drape down in a triangular shape.
- Roll canvas and secure using Velcro straps.
- Position PVC bag over awning and zip up to complete pack down.

! DO NOT STOW THE CANVAS CARRY BAG CONTAINING THE ADDITIONAL LEGS INSIDE THE AWNING'S TRANSIT COVER.



TIP

A LOOSE ROLL IS BETTER THAN A TIGHT ROLL. THIS WILL ALLOW THE CANVAS TO FOLD FLAT AGAINST THE AWNING MAKING IT EASIER TO ZIP UP THE TRANSIT COVER.



450° AWNING

CARE INSTRUCTIONS

CLEANING

Clean with cold water and a soft bristle brush. Do not use soaps and detergents. Do not expose to petrol, diesel, oils or chemicals of any nature.

STORING

Correct storage is vital for the longevity of your Awning. If on occasion the awning is required to be stowed wet, it is essential it is unpacked and dried as soon as possible. Rot, mildew damage and incorrect storage is not covered under warranty.

STRUCTURAL INTEGRITY

The Awning has been designed for general camping use under normal conditions. Always ensure all rafters are supported by leg poles provided and all guy ropes are anchored correctly. It may be necessary to re-adjust guy ropes and pegs at times to maintain the structural integrity of the awning.



To avoid chances of personal injury and or property damage, highly recommends the Awning should NOT be erected during windy conditions.

Damaged caused by wind and or adverse weather will not be covered under warranty.

VEHICLE FITTING

Recommends using an experienced aftermarket 4x4 accessories fitter to mount the Awning to your vehicle. Fasteners and fixing connections should be checked regularly on both the awning and roof rack to ensure the awning is always mounted securely to your vehicle roof rack.

Prolonged travelling on uneven rough or corrugated terrain will require more frequent inspections.



Ensure the unsupported ends of the awning do not exceed 500mm

Takes no responsibility for the fitment of Awning to any vehicle or roof rack.

Awning brackets have been designed to fit most common roof rack configurations. However, with the ever increasing number of roof rack designs now available it is difficult to supply a mounting bracket to accommodate all. If in doubt please visit your roof rack specialist for specific roof rack mounting options and advice on load capacities.

WATERPROOFNESS

Great care has been taken in its refined raw material selection, design and development of tents and awnings in regards to waterproofness.

Unfortunately with the addition of zips and multiple layer seams, wind driven rain may cause water to ingress at times. To minimise this, ensure all rain flaps are adequately covering the zips.

Seams connecting multiple layers of fabric could leak at times depending on weather conditions and location. A quick and easy solution is to rub a softened wax stick over the affected area.

USING THE OPTIONAL WALLS

The zip on awning walls will provide a sheltered / protected area around the awning. When attached to the awning, they are designed to create a shaded area and help reduce dust.

IN WINDY CONDITIONS IT IS HIGHLY RECOMMENDED NOT TO ERECT THE AWNING AND WALLS AS PERSONAL INJURY AND OR PROPERTY DAMAGE MAY OCCUR.



SAFETY WARNINGS

KEEP ALL FLAME AND HEAT SOURCES AWAY FROM THE FABRIC.

UNDER NO CIRCUMSTANCES SHOULD ANY NAKED FLAME SOURCES BE USED NEAR THE AWNING.

KEEP CAMP FIRES AWAY FROM THE AWNING.

KEEP A LOOK OUT FOR ANY AIRBORNE BURNING EMBERS THAT MAY COME INTO CONTACT WITH THE TENT.

KEEP A FIRE EXTINGUISHER OR WATER BUCKET NEARBY.

DO NOT OPERATE ANY DEVICE WHICH BURNS FUEL INSIDE THE AWNING WHILE WALLS ARE ATTACHED.

KEEP EXITS CLEAR.

RECOMMENDS FIXING ALL GUY ROPES AT ALL TIMES WHEN AWNING IS IN USE.

REMAIN CAUTIOUS AROUND GUY ROPES TO PREVENT INJURY.

ENSURE CHILDREN ARE SUPERVISED AROUND THE AWNING AT ALL TIMES.

